

I28 INSTALLATION AND MOUNTING DATA

1/4 NPT PORT FOR SUPPLY VACUUM
"PLUG IT WHEN USING A SINGLE SOURCE"

1/4 NPT PORT FOR SUPPLY AIR

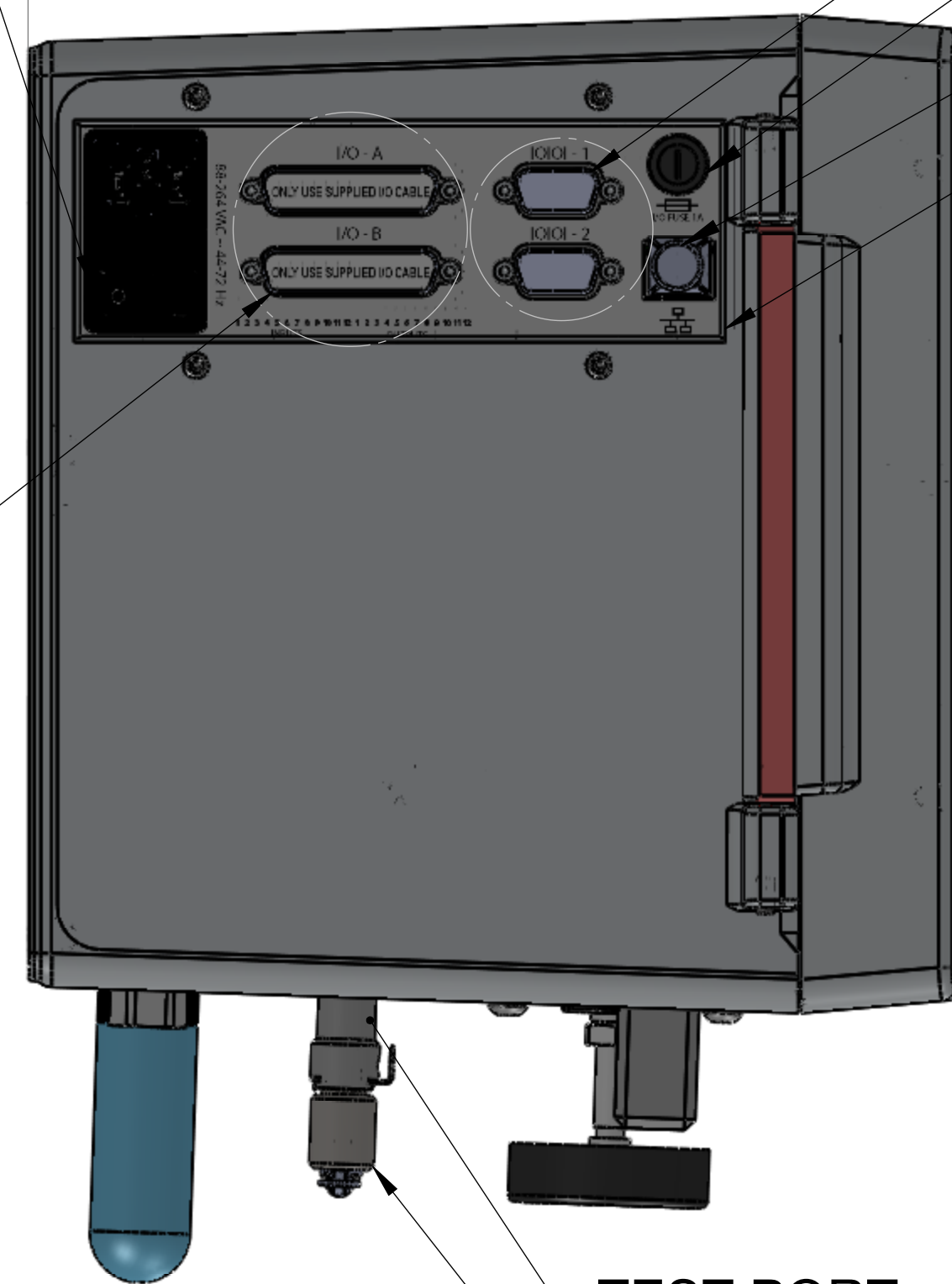
1/8 NPT PORT FOR PILOT AIR

POWER ENTRY 3 PRONG STANDARD WITH 120 VAC, 3 CONDUCTOR CABLE FOR ALL OTHERS

[220.61]
8.685

- RS232 SERIAL PORT
- I/O FUSE HOLDER-1A
- ETHERNET
- ELECTRONIC MODULE, AC-I28)

I/O CONNECTOR

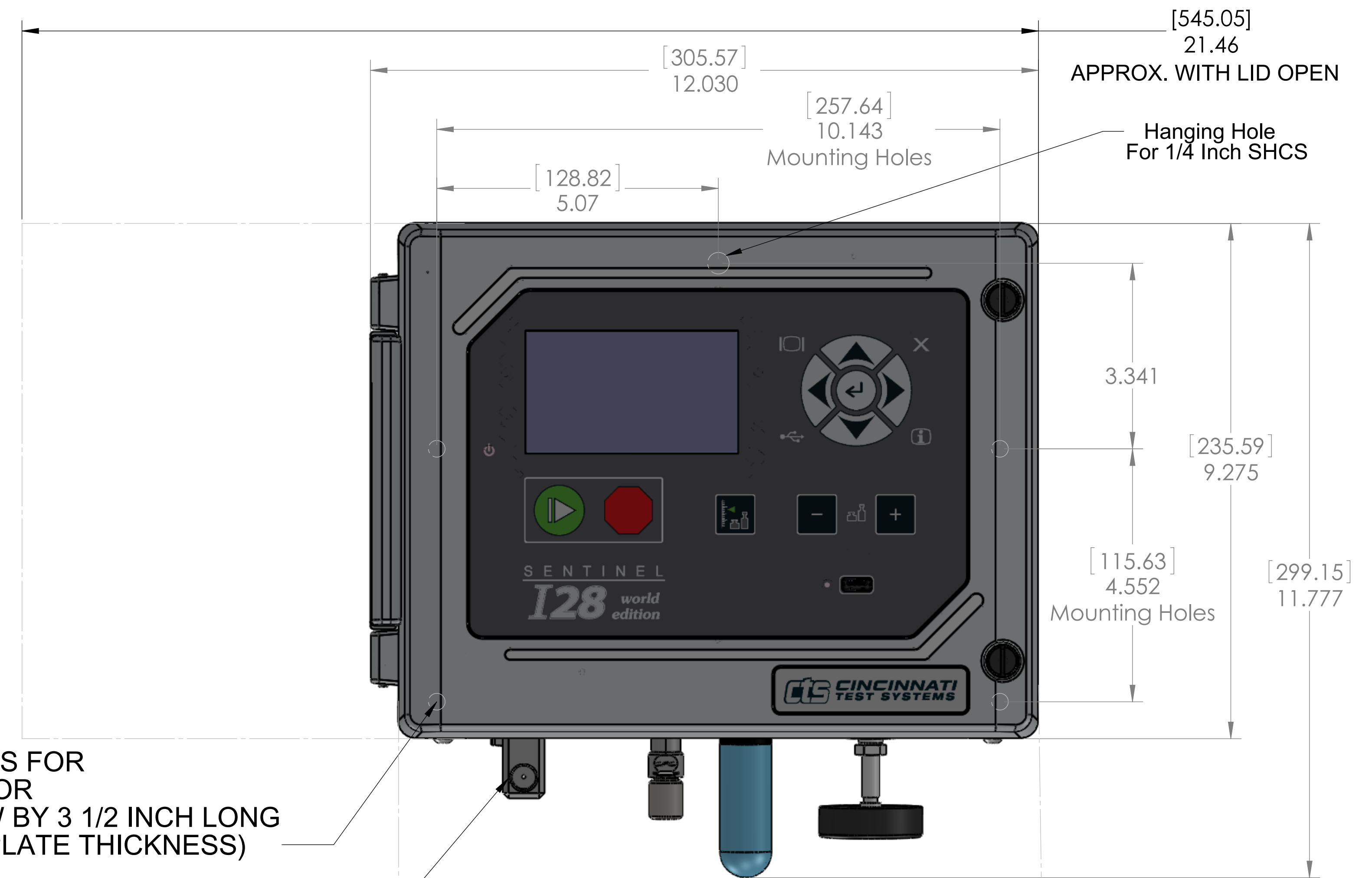



TEST PORT
SELF TEST CAP

FOUR (4) REAR MOUNTING HOLES FOR 1/4" SOCKET HEAD CAP SCREW OR 6 MM SOCKET HEAD CAP SCREW BY 3 1/2 INCH LONG (1/4 INCH MINIMUM MOUNTING PLATE THICKNESS)

SELF TEST CAP AND HOLDER

ALLOW 4 IN (101.6 MM) CLEARANCE FOR INSTALLATION OF TEST LINE AND HAND CLEARANCE



DESCRIPTION: Bose Assembly		UNLESS OTHERWISE SPECIFIED BREAK ALL SHARP CORNERS		 CINCINNATI TEST SYSTEMS 5555 DRY FORK RD., CLEVELAND, OH 45002	
MATERIAL:		TOLERANCES: 1 PLACE DECIMAL : .050" [1.27mm] 2 PLACE DECIMAL : .010" [0.25mm] 3 PLACE DECIMAL : .003" [0.08mm] ANGULAR DIMS : 0°-30°			
FINISH: -		SolidWorks ✓ INDICATES 125 500 MAXIMUM FINISH REQ'D ON SURFACES WITHOUT A SYMBOL		CUSTOMER CTS R&D	
QUANTITY:	HEAT TREAT:	DRILLED AND COUNTERBORED HOLE DIAMETERS: -.005" / +.015" [-0.13mm / +0.4mm]		TITLE Assy,CTS,A12-547	
FILE LOCATION:		DRAWN BY YA		SIZE D	DATE 10/28/2011
		CHECKED BY		DWG NO. A12-547	REV A
				SCALE 1:4	SHEET 1 OF 3